



# What's out There?

## Centers/Independent Work: Writing – Astronomy Color by Number

Level 2  
Worksheet 2.3

### Objective:

This activity supports individual learning outcomes as students complete tasks at their own levels, reinforcing symbol recognition, matching, and counting.

---

### Materials:

- Astronomy color by number worksheets (provided)
  - Pencils or markers
- 

### Instructions:

1. Print the astronomy color by number worksheets (1 set per student).
  2. Provide students with:
    - a. Worksheets
    - b. Crayons or markers
  3. Optional: laminate the worksheets for reuse and provide students with a dry erase marker to write directly onto the laminated sheets.
- 

### TEACHING IDEAS FOR CENTERS

- Encourage students to say the name of the color. Alternatively, students can repeat after the instructor once the instructor says the name of the color out loud.
- Encourage students to color within the lines.

### TEACHING IDEAS FOR INDEPENDENT WORK

- When working through this lesson, use a structured work system to encourage independence. Ideas for structured work systems can be found in Routine Essentials: Independent Work Systems.
- **Please note:** All tasks presented during independent work should be tasks the student can complete without additional prompting.

### SUPPORT THIS LESSON BY TEACHING STAR PROGRAM LESSONS

- Level 2 Pre-academic Concepts, Lesson 3: Receptive Identification of Numbers
- Level 2 Pre-academic Concepts, Lesson 12: Tracing
- Level 2 Pre-academic Concepts, Lesson 13: Coloring within Lines

Name: \_\_\_\_\_

Trace the numbers.



Name: \_\_\_\_\_



Color by number.



blue



green



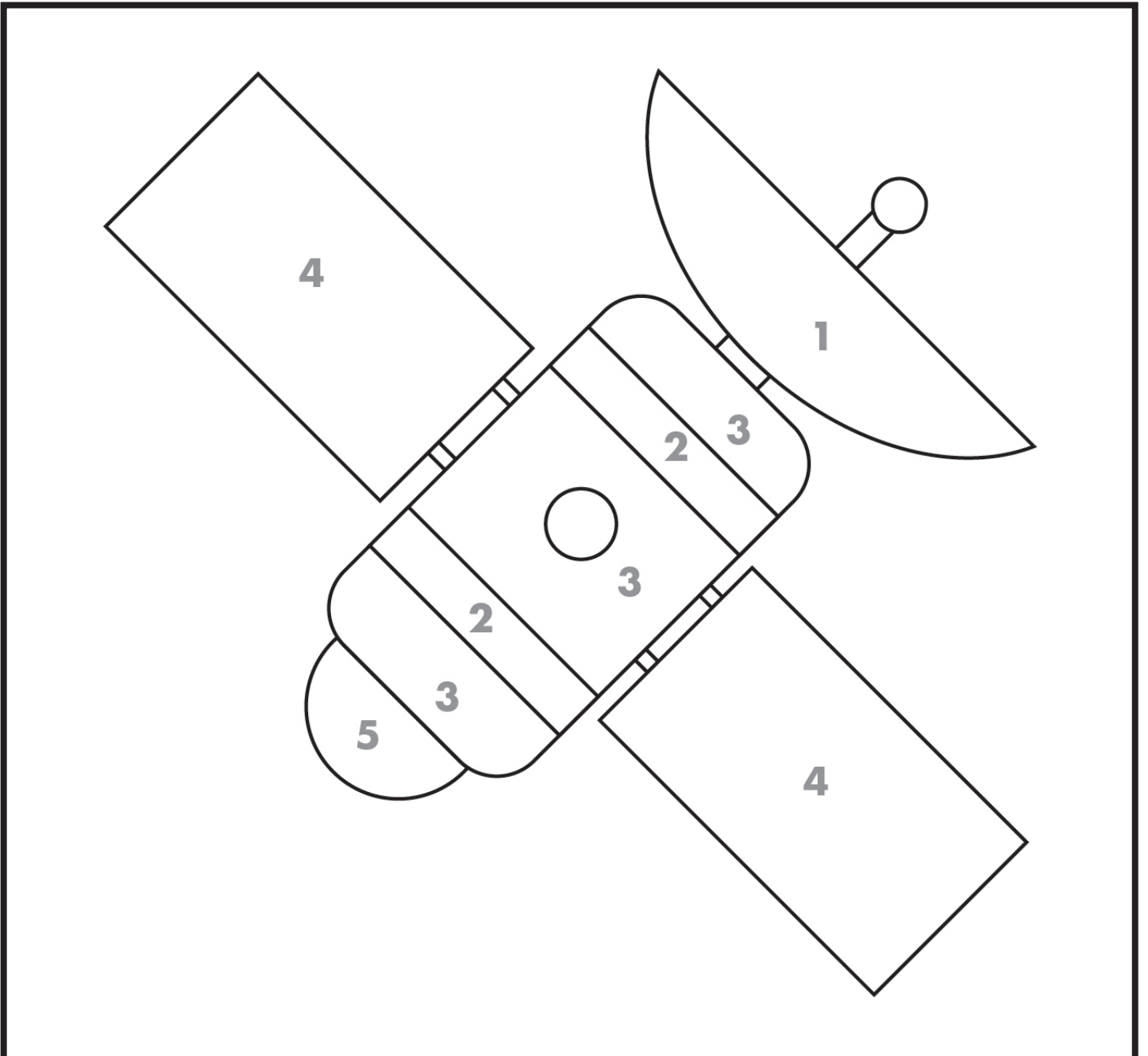
yellow



red



purple





Name: \_\_\_\_\_



Color by number.



blue



green



purple



red



yellow

